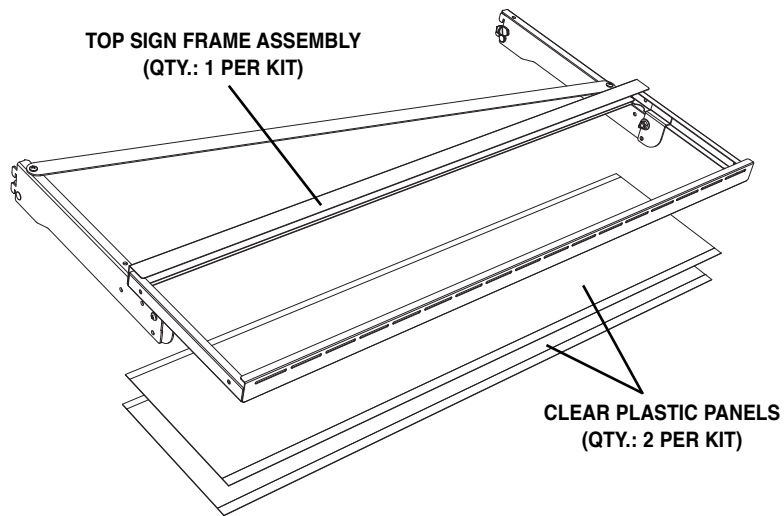


# STANDARD PROFILE SET - TOP SIGN HEADER INSTALLATION

AIM PART NUMBERS: AIM-2TS; AIM-3TS; AIM-4TS

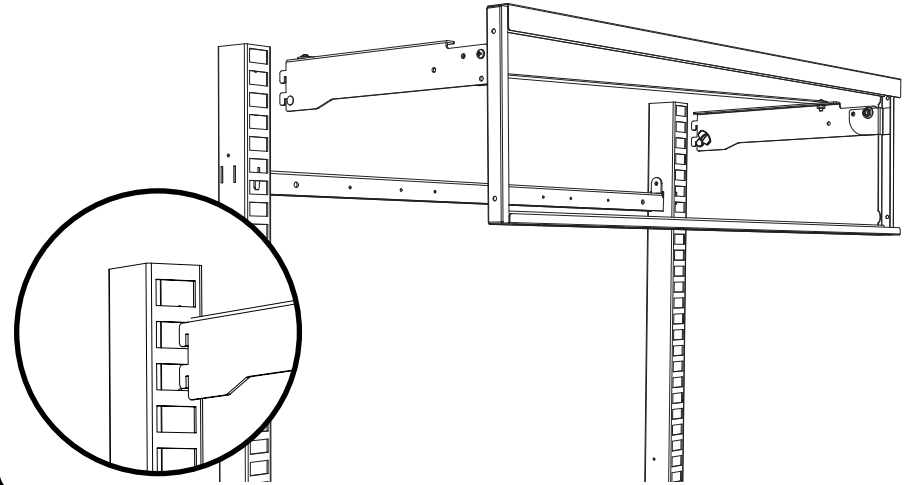
## 1. Top Sign Header Kit - Carton Contents (2-ft., 3-ft., 4-ft.)

Unpack Top Sign Header Kits and review carton contents.

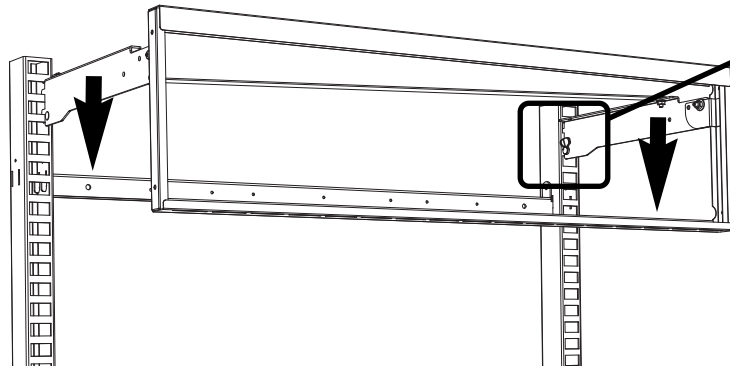


## 2. Install Top Sign Headers

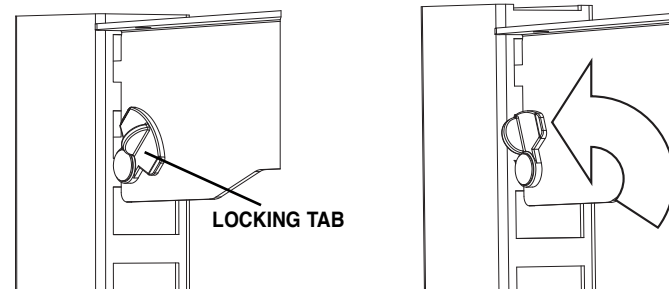
Install Top Sign Header bracket blades into second slot from the top of uprights as shown.



## 3. Push Top Sign brackets downward in slots to secure.



**IMPORTANT FOR SAFETY:** Lock each Top Sign into place using locking tabs located on the inboard side of each side bracket. Locking tab pivots into slot of Leg Upright to secure.



Continued on next page ...

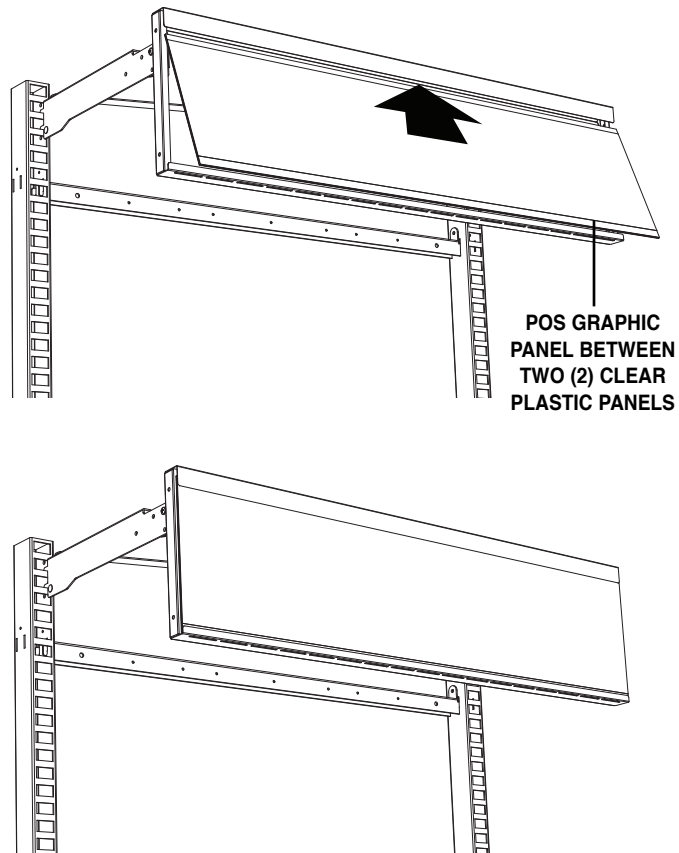
# STANDARD PROFILE SET - TOP STORAGE SHELF

AIM PART NUMBERS: AIM-2TSS; AIM-3TSS; AIM-4TSS

... continued from previous page.

## 4. Install Clear Plastic Panels & POS Graphic Panel

Remove protective film from clear plastic panels. Place POS graphic panel between two (2) clear plastic panels and insert into upper channel of top sign frame. Guide bottom edges of panels into lower channel.

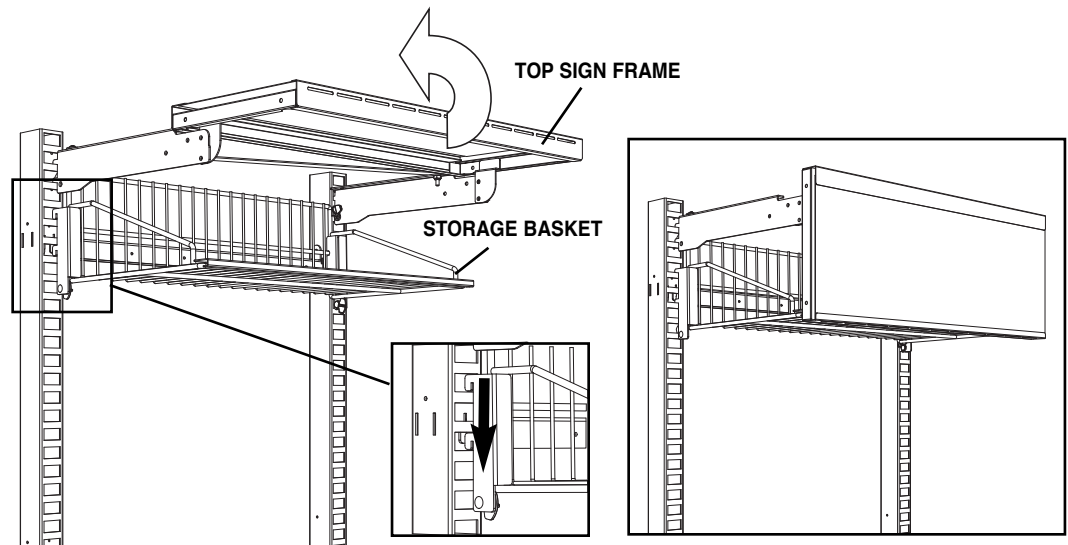


## Install Top Storage Shelf (2-ft., 3-ft., 4-ft.)

The AIM Top Storage Shelf installs behind the top sign frame for additional storage.

Pivot top sign frame upward, count down five (5) slotted holes from top of leg extension and hook attachment brackets into slotted holes as shown. Push brackets downward in slots to secure.

Pivot top sign header downward to conceal storage shelf.



### IMPORTANT FOR SAFETY:

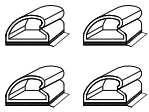
Lock each storage shelf into place using locking tabs located on the inboard side of each side bracket. Locking tabs pivot into slots of leg uprights as shown to secure.



# STANDARD PROFILE SET - TOP SIGN LED ILLUMINATION KIT

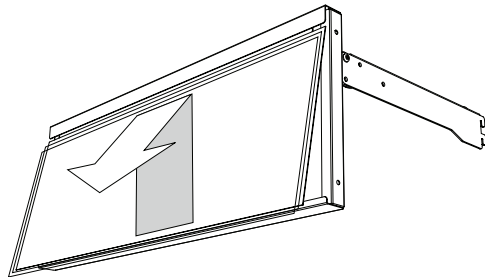
AIM PART NUMBERS: AIM-2IP; AIM-3IP; AIM-4IP

**CARTON CONTENTS:**

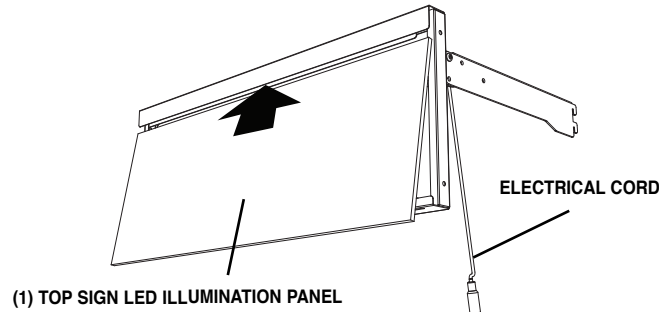
-  (4) PLASTIC CLIPS  
W/ADHESIVE BACKING
- (1) TRANSFORMER



1. Remove POS graphic and both clear PETG panels from top sign frame channels as shown. DO NOT DISCARD CLEAR PANELS.

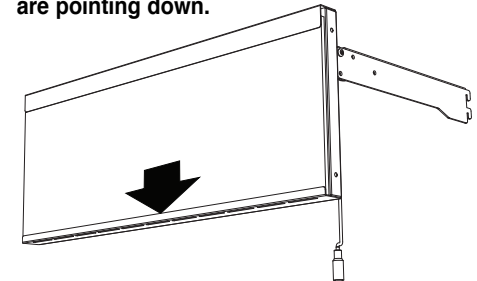


2. Feed electrical cord through opening in sign frame. Insert top edge of Top Sign LED Illumination Panel into sign frame as shown.

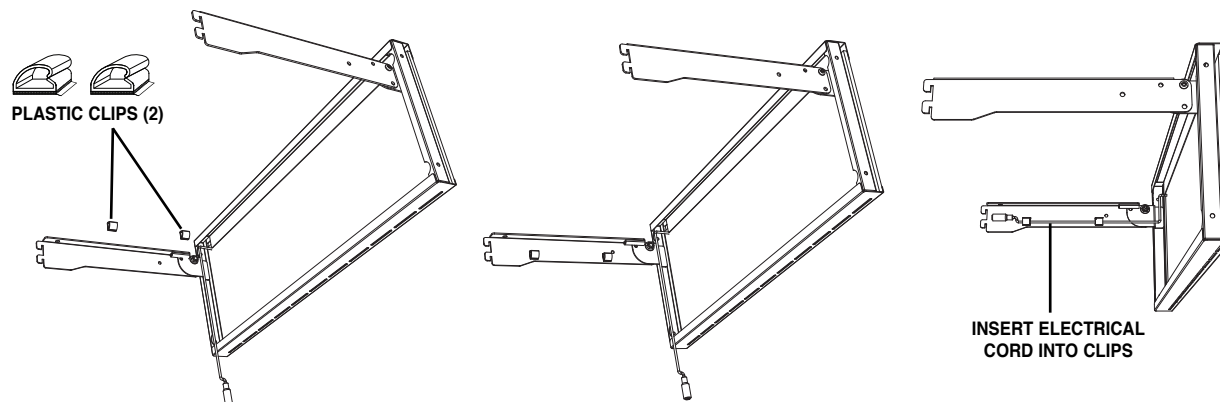


3. Insert bottom edge of LED Illumination Panel into lower channel in sign frame as shown.

**NOTE:** Be sure that downlight LEDs are pointing down.



4. Remove adhesive backing from two (2) plastic clips and adhere to inside surface of attaching bracket (nearest to electrical cord). Insert electrical cord into clips and attach connector end to electrical source. Two extra clips are included, if required.



5. Insert supplied backlit POS graphic panel over LED Illumination Panel, then clear PETG panel, as shown.

